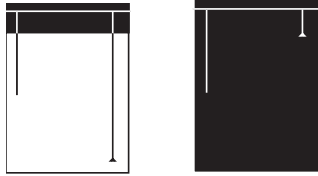


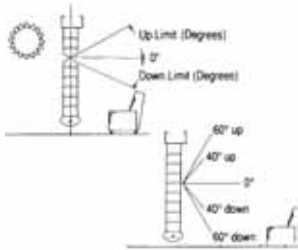
DATA SHEET

Top-lock Cord Lock



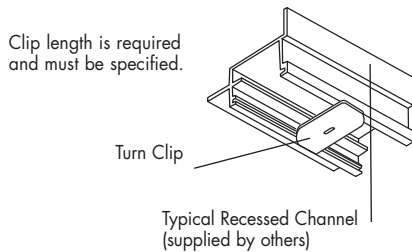
- Locks blind in fully raised position only
- Provides uniform exterior appearance
- Ring pull with 4" controls optional
- Telescopic pole optional
- Available on S3000, Classics, CustoMiser®, and Mirco

Tilt Limiter



- Uniform exterior appearance
- Reduces thermal stress
- Up/down settings are nominally 0°, 20°, 40°, 60° and 80° (or any combination of these angles)
- Available on S3000, Classics, CustoMiser®, and Mirco

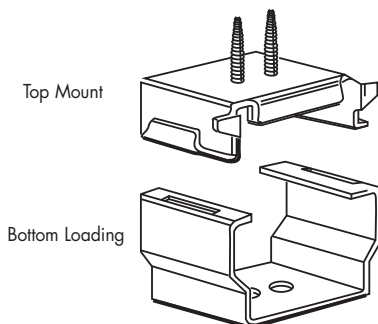
Turn Clips



- Used in extruded blind pockets
- Clips lock into extruded aluminum channel
- Slotted for easy installation and removal
- Color coordinated and custom sized
- Classics blind minimum inside dimension is 1-5/8" x 1-1/4"
- CustoMiser® blind minimum inside dimension is 1-1/8" x 1-1/4"

Pocket Brackets

Pocket Bracket: Optional (Two-Part Assembly)



- Two piece bracket for pocket installation
- Minimum pocket width is 3" (additional width required as pocket depth increases)
- Available for Classics only
- Stacking height = Blind drop X .035 + 2"

Stack Height Schedule			
Blind Drop	Stacking Height	Drop	Height
		Blind	Stacking
		150	7 1/2
30	3	180	9
60	4	210	10
90	6 1/2	240	11
Stacking Height = [Blind Drop x 0.035] + 2"			

