

# Installation Instructions

## Crank-Operated FlexShades by Draper

### ⚠ Caution

- ① Inspect all boxes to make sure you have received proper shades/parts. Open cartons lengthwise.
  - ② All endcaps, fascia, headboxes, pockets, wall clips, and other hardware must be installed level. Shades must be level and square.
  - ③ **There is no lower limit. Overcranking the shade past sill may cause product to fall or otherwise fail, and invalidates warranty.**
- Please Note:** If shade fabric is uneven, see "Field Adjustments" below.
- ④ **Please read the following installation guidelines thoroughly and follow them carefully. Failure to do so may cause product to fall or otherwise fail, and invalidates warranty.**
- Please Note:** Custom products/installations may not be reflected by this document. Call Draper, Inc. if you have questions about your installation.

### Crank-Operated FlexShades—Endcaps

- ① Mark wall, jamb or ceiling for placement of mounting endcaps.
- ⚠ Caution: Before mounting shades, verify measurements on the card provided with the shade, and ensure the brackets are installed at the correct width.**
- ② Drill small starter hole (if necessary) in mounting surface.
  - ③ Mount endcaps using appropriate fasteners for surface (see Fig. 1 for endcap dimensions). If this is a coupled unit, be sure to mount coupled endcap in the center position. **The installer is responsible for selecting mounting hardware appropriate for site conditions.**

#### Crank Endcap Dimensions

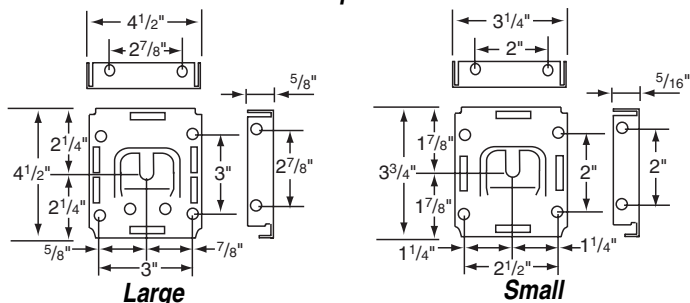
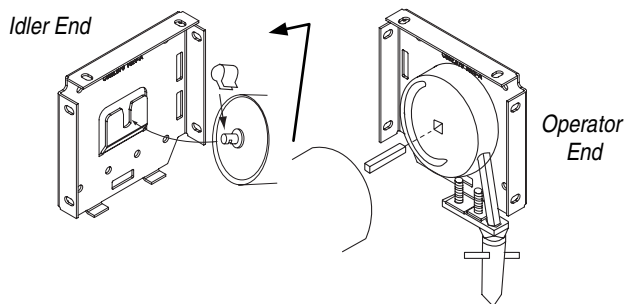


Figure 1

- ④ Insert shank into hole in center of crank assembly, then slide fabric/roller onto shank (see Fig. 2).
- ⑤ For coupled units see separate instruction sheet for Coupled FlexShades.
- ⑥ Slide notched pin into idler endcap (see Fig. 2).
- ⑦ Attach crank handle.



⚠ Be sure retainer clip is installed.

Figure 2

- ⑧ Snap end covers into place (see Fig. 3).

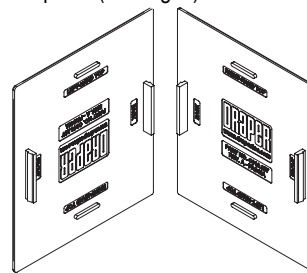


Figure 3  
Fascia

- ① Snap end covers onto endcaps.
- ② Follow steps 1 through 3 under "Crank Operated FlexShades—Endcaps".
- ③ Remove crank handle assembly from crank (operator) endcap and remove the washers (see Fig. 4). Insert shank into hole in center of crank assembly, then slide fabric/roller onto shank (see Fig. 2).
- ④ For coupled units see separate instruction sheet for Coupled FlexShades.
- ⑤ Slide notched pin into idler endcap (see Fig. 2).

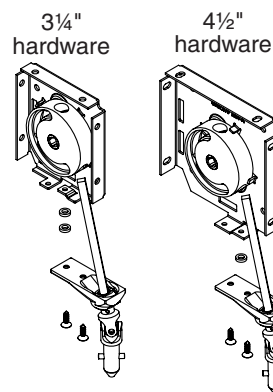


Figure 4

- ⑥ Place groove along top of fascia over endcaps, and snap into place (see Fig. 5).

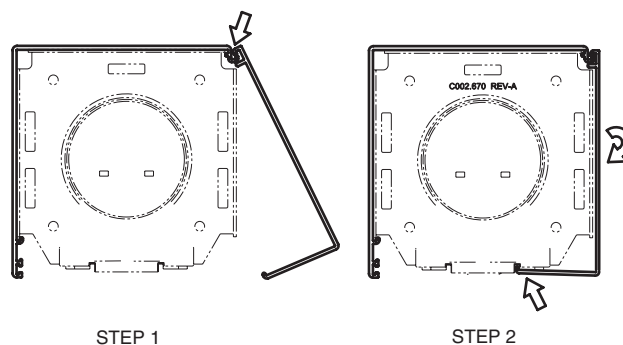


Figure 5

- ⑦ Re-attach crank handle assembly to endcap (see Fig. 6). Make sure the fascia is in place before attaching crank handle, so that the screws attach both the handle assembly and the fascia to the endcap.

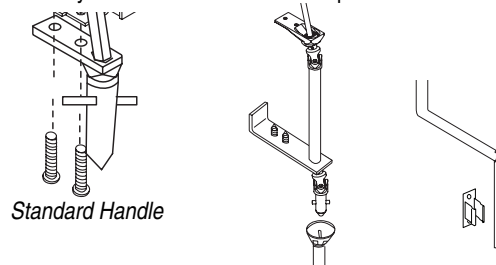


Figure 6

# DRAPER®

411 S. Pearl St., Spiceland, IN 47385 USA ■ 765-987-7999

www.draperinc.com ■ fax 765-987-7142

Copyright © 2009 Draper Inc. Form CrankFlexShades\_Inst09

Printed in U.S.A.

If you encounter any difficulties installing or servicing your Crank-Operated FlexShades, call your dealer or Draper, Inc. in Spiceland, Indiana, 765-987-7999, or fax 765-987-7142.

## Surface (Ceiling/Wall) Headbox or Large Pocket Headbox

- ① Snap endcap covers onto endcaps.
- ② Place endcaps into back/top portion of wall/ceiling headbox or into pocket extrusion of large pocket headbox. Using pre-drilled holes in endcaps, mark the headbox for drilling.
- ⚠ **Caution: Before mounting shades, verify measurements on the card provided with the shade, and ensure the brackets are installed at the correct width.**
- ③ Drill holes in back or top, depending on whether you will be mounting the headbox to the wall or ceiling, or in a pocket.
- ④ Attach endcaps and wall/ceiling headbox back/top or large pocket headbox extrusion to wall, ceiling or pocket using mounting hardware appropriate for site conditions.
- ⑤ Install shade following steps 3 through 5 under "Crank Operated Flex-Shades—Fascia".
- ⑥ Attach headbox fascia or pocket closure (see Fig. 7).

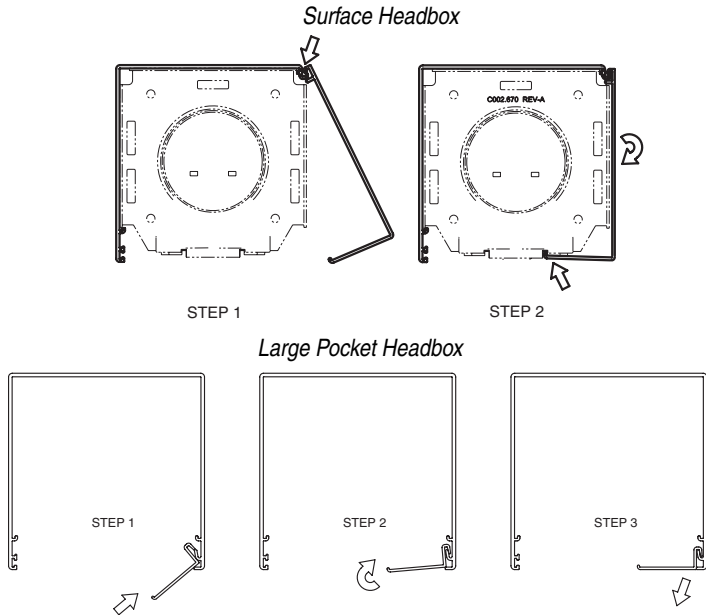


Figure 7

- ⑦ Re-attach crank handle (see Fig. 6, page 1). Make sure the headbox fascia or pocket closure is in place before attaching crank handle, so that the screws attach both the handle and the fascia to the endcap.

## Small (3/4" Hardware) Pocket Headbox

- ① Snap endcap covers onto endcaps.
- ② Place endcaps into pocket extrusion of small pocket headbox. Using pre-drilled holes in endcaps, mark the headbox for drilling (see Fig. 8).
- ⚠ **Caution: Before mounting shades, verify measurements on the card provided with the shade, and ensure the brackets are installed at the correct width.**

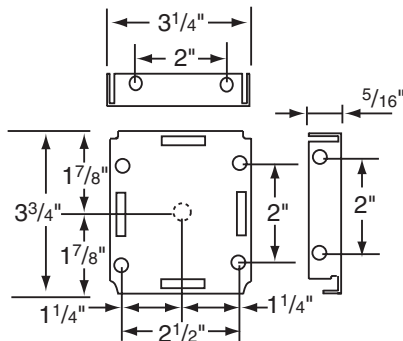
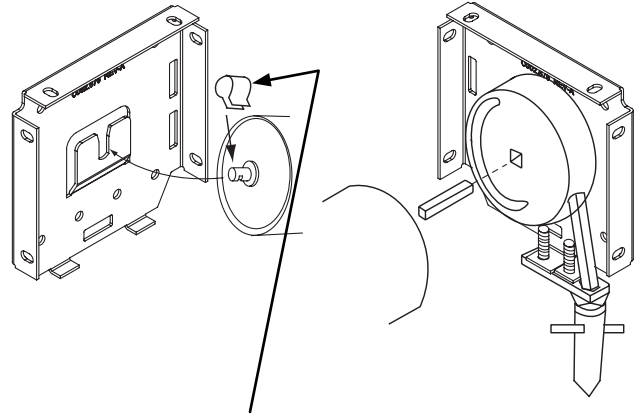


Figure 8

- ③ Drill holes in back or top, depending on how you will be mounting the small pocket.
- ④ Attach endcaps and small pocket headbox extrusion to wall, ceiling or in pocket using mounting hardware appropriate for site conditions.
- ⑤ Remove crank handle assembly from crank (operator) endcap (see Fig. 4 —note: there are no washers with small pocket headbox crank operators). Insert shank into hole in center of crank assembly, then slide fabric/roller onto shank (see Fig. 2).
- ⑥ Slide notched pin into idler endcap (see Fig. 9).



⚠ **Be sure retainer clip is installed.**

Figure 9

- ⑧ Attach small pocket closure (see Fig. 10).

## Small Pocket Headbox

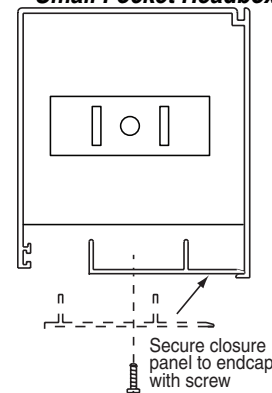


Figure 10

- ⑨ Re-attach crank handle assembly (see Fig. 6, page 1).

## Field Adjustments

Each Draper Solar Control Shade is tested to ensure proper operation. Even with this testing, some field adjustments may be needed for telescoping. If the shade is telescoping, place a piece of high quality gaffer tape about 1" wide on the exposed roller (where the fabric will cover it) on the side that you want the fabric drawn toward. For example: if the fabric is tracking to the left, place the tape on the right side.

## Cleaning and Maintenance

Window covering products manufactured by Draper, when properly installed, should require no operational maintenance or lubrication.

Most of Draper's standard fabrics may be cleaned at the window by vacuuming with a soft brush attachment. They may also be cleaned by using a sponge or soft cloth and mild solution of warm soapy water. A dishwashing liquid, such as Ivory liquid, is recommended. A clean dry cloth is recommended for the metal finish. **Exceptions are Flocké, Roc-Rol, Obion and Phifer SW7000 fabrics, which must be cleaned with a dry art sponge.**