

# Installation Instructions

## Bead Chain Clutch FlexShades with Large Hardware by Draper

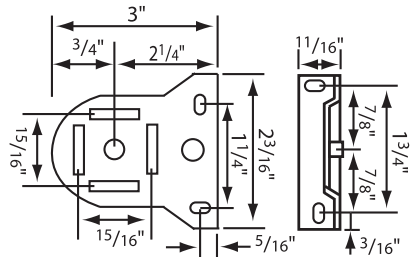
### ⚠ Caution

- ① Inspect all boxes to make sure you have received the proper shades and parts.
- ② Open cartons lengthwise.
- ③ If shades are to be installed in areas accessible to young children, be certain to use cord tension device and heed warning below.
- ④ All brackets, fascia, headboxes, pockets, wall clips, and other hardware must be installed level. Shades must be level and square.
- ⑤ **Please read the following installation guidelines thoroughly and follow them carefully. Failure to do so may cause product to fall or otherwise fail, and invalidates warranty.**

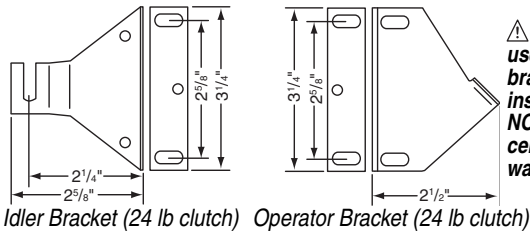
### Bead Chain Clutch—Large Brackets

- ① Mark wall, jamb or ceiling for placement of mounting brackets.
- ⚠ **Caution: Before mounting shades, verify measurements on the card provided with the shade, and ensure the brackets are installed at the correct width.**
- ② Drill small starter hole (if necessary) in mounting surface.
- ③ Mount brackets using appropriate fasteners for surface (see Fig. 1 for bracket types). **The installer is responsible for selecting mounting hardware appropriate for site conditions.**

### Large Bead Chain Bracket Dimensions



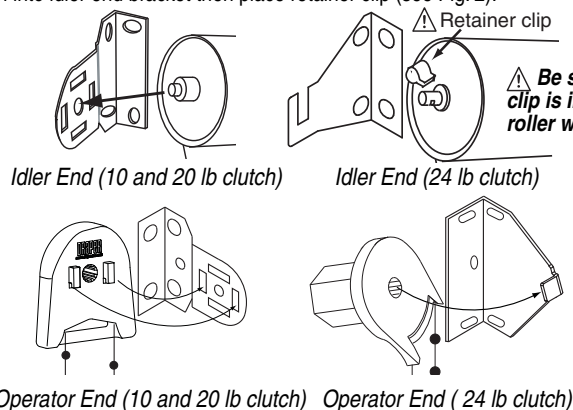
Universal Bracket—10 and 20 lb clutch



⚠ **Caution: DO NOT use 24 lb. clutch wall brackets on ceiling installations, and DO NOT use 24 lb. clutch ceiling brackets for wall installations.**

Figure 1

- ④ **10 and 20 lb. clutch:** Place spring-loaded pin into bracket, depress pin by pushing shade roller toward bracket, slip notches on operator end into other bracket, then press down to lock in place (see Fig. 2).
- 24 lb. clutch:** Install operator onto spear on operator end bracket, slide notched pin into idler end bracket then place retainer clip (see Fig. 2).



⚠ **Caution: DO NOT use 24 lb. clutch wall brackets on ceiling installations, and DO NOT use 24 lb. clutch ceiling brackets for wall installations.**

Figure 2



### For the Safety of Young Children

*Be certain to install cord tension device to wall, jamb or sill using appropriate fasteners. Proper installation of cord tension device keeps loops from being easily accessible. If bead chain is not secured with cord tension device, young children can STRANGLE in bead chain loops. In any case, clutch-operated shades should not be installed near cribs or playpens.*

### Bead Chain Clutch—Large Endcaps

- ① For endcaps, snap end covers into place (see Fig. 3).

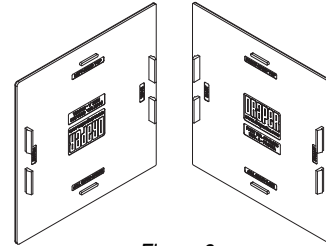


Figure 3

- ② Mark wall, jamb or ceiling for placement of mounting endcaps.
- ③ Drill small starter hole (if necessary) in mounting surface.
- ④ Mount endcaps using appropriate fasteners for surface (see Fig. 4 for endcap dimensions). **The installer is responsible for selecting mounting hardware appropriate for site conditions.**

⚠ **Caution: Before mounting shades, verify measurements on the card provided with the shade, and ensure the endcaps are installed at the correct width.**

### Large Bead Chain Endcap Dimensions

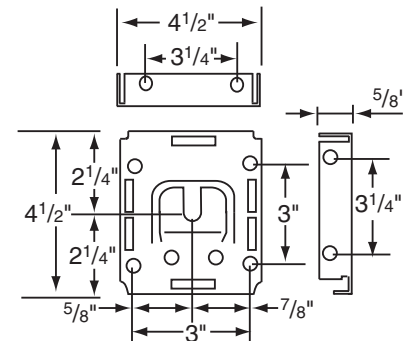
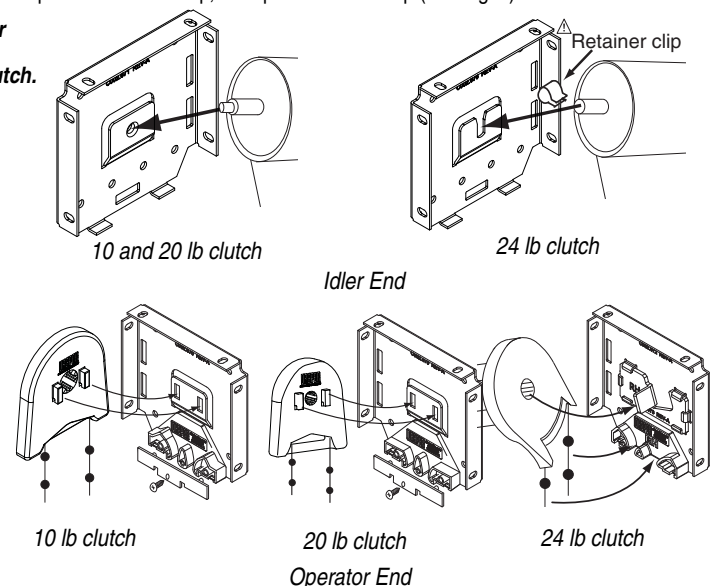


Figure 4

- ⑤ **10 and 20 lb. clutch:** Place spring-loaded pin into idler endcap, depress pin by pushing shade roller toward endcap, slip notches on operator end into other endcap, then press down to lock in place (see Fig. 5).
- 24 lb. clutch:** Install operator onto spear on operator end endcap, slide notched pin into idler endcap, then place retainer clip (see Fig. 5).



⚠ **Be sure retainer clip installed on roller with 24 lb clutch.**

Figure 5

⑥ For 10 lb. clutch and 20 lb. clutch, properly route the bead chain through the chain guide, then attach chain guide cover using provided screw (see Fig 5). For 24 lb. clutch, secure bead chain operator to endcap using provided screw (see Fig. 6). Properly route the bead-chain through the chain guide. Attach chain guide snap-on cover using provided screw.

**CAUTION:** Be sure to lock chain guide cover in place with provided screw. Please Note: Make sure 24 lb. clutch operator installs to endcap angled toward the wall as shown in Fig. 6.

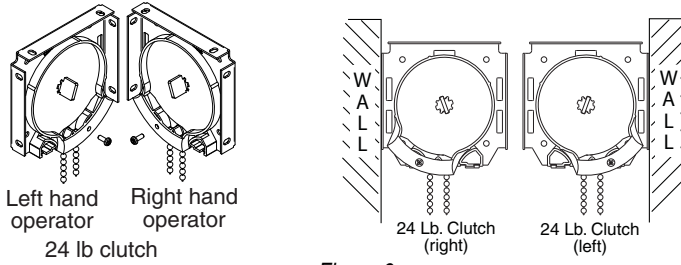
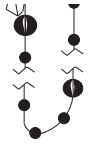


Figure 6

⑦ Set upper and lower travel limits by installing stop balls to bead chain (crimp closed using pliers) (see Fig. 7).

**CAUTION:** Do not allow the shade roller to become exposed by running the shade fabric too far down. Be sure to use the stop balls provided in hardware packet by Draper to set the up and down travel limits. Stop balls by others may be too small, and become lodged in the clutch mechanism.

Please Note: If shade fabric is uneven, see "Field Adjustments" below.



Stop Balls  
Figure 7

⑧ Cord tension device comes pre-attached to bead chain (see Fig. 8), and must be attached to wall, jamb or sill so that the bead chain is held taut enough that children cannot pull it away from the wall or fit their head into the loop. See safety note on page 1.

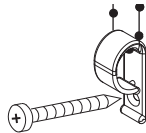


Figure 8

### Optional Spring-Loaded Cord Tension Device

⑨ Cord tension device comes installed on bead chain (see Fig. 9). Install cord tension device to wall, jamb or sill. To install, pull tensioner down so that the bead chain is held taut and use the mounting hardware to keep it taut. The bead chain should be taut enough so it will move smoothly through the device. If there is not enough tension, the device will not allow the bead chain to pass through and operate the shade. This device is designed so that children cannot pull the bead chain away from the wall or fit their head into the loop. See safety note on page 1.

The installer is responsible for selecting mounting hardware appropriate for site conditions.

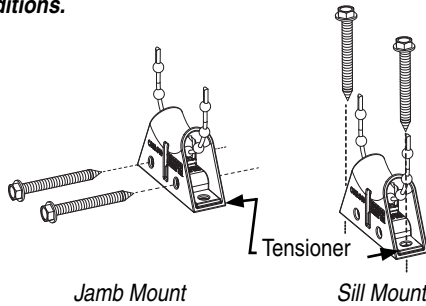


Figure 9  
Fascia

- ① Snap end covers onto endcaps.
- ② Install endcaps and shade (see "Bead Chain—Large Endcaps" section).
- ③ Place groove along top of fascia over endcaps, and snap into place (see Fig. 9). **Fascia is not fully seated until it clicks into place on both ends. Once in place, check for secure fit. If not secure, secure with appropriate fastener (not included).**

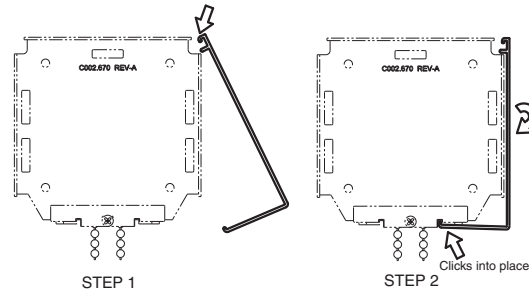
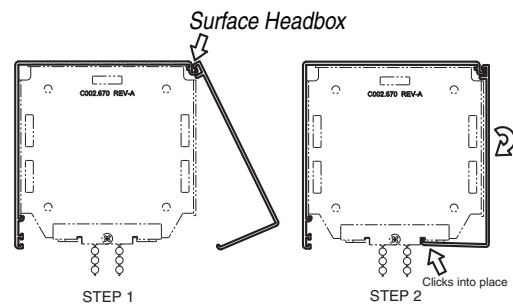


Figure 9

### Headbox

**CAUTION:** Before mounting shades, verify measurements on the card provided with the shade, and ensure the unit is installed at the correct width.

- ① Snap endcap covers onto endcaps.
  - ② Place endcaps into back/top portion of wall/ceiling headbox or into pocket extrusion of pocket headbox. Using pre-drilled holes in endcaps, mark the headbox for drilling.
  - ③ Drill holes in back or top, depending on whether you will be mounting the headbox to the wall, ceiling or pocket.
  - ④ Attach endcaps and wall/ceiling headbox back/top or pocket headbox extrusion to wall, ceiling or pocket using mounting hardware appropriate for site conditions.
  - ⑤ Install shade (see "Bead Chain Clutch—Large Endcaps" section above).
  - ⑥ Attach headbox fascia or pocket closure (see Fig. 10 for pocket closure).
- Surface Headbox fascia is not fully seated until it clicks into place on both ends. Once in place, check for secure fit. If not secure, secure with appropriate fastener (not included).**



Pocket Headbox

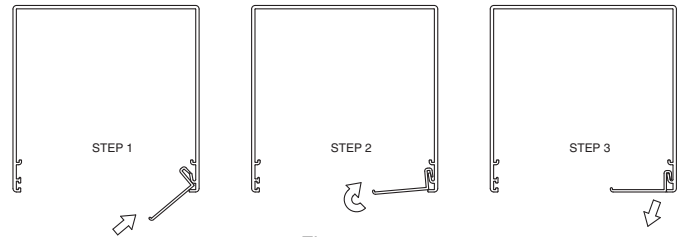


Figure 10

### Field Adjustments

Each Draper Solar Control Shade is tested to ensure proper operation. Even with this testing, some field adjustments may be needed for telescoping. If the shade is telescoping, place a piece of high quality gaffer tape about 1" wide on the exposed roller (where the fabric will cover it) on the side that you want the fabric drawn toward. For example: if the fabric is tracking to the left, place the tape on the right side.

### Cleaning and Maintenance

Window covering products manufactured by Draper, when properly installed, should require no operational maintenance or lubrication.

Most of Draper's standard fabrics may be cleaned at the window by vacuuming with a soft brush attachment. They may also be cleaned by using a sponge or soft cloth and mild solution of warm soapy water. A dishwashing liquid, such as Ivory liquid, is recommended. A clean dry cloth is recommended for the metal finish. **Exceptions are Flocké, Roc-Rol, Obion and Phifer SW7000 fabrics, which must be cleaned with a dry art sponge.**