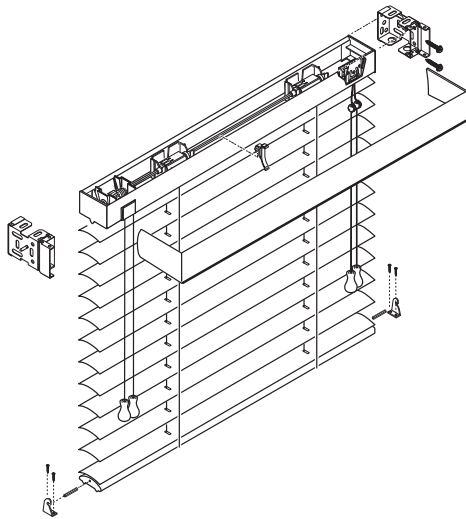


DATA SHEET

Product Features

BALI® HERITAGE™ 2" ALUMINUM BLINDS



- SureClose® headrail system
- AFT delivers anti-static performance to repel dust
- Low HAP, low VOC paint process
- Enclosed bottomrail
- 1-1/2" cloth tape option
- Cord tilt standard
- Lifetime warranty

Product Specifications

BALI® HERITAGE™ 2" ALUMINUM BLINDS

SureClose® headrail shall be 1-5/8" high x 2-1/4" wide x .022" thick U-shaped steel with 1/8" light blocking lip on the bottom center line. The steel finishing process includes phosphate treatment for corrosion resistance, a chrome-free sealer, a low HAP urethane primer and a topcoat with low HAP polyester baked enamel.

Cord tilter shall be a snap-in component incorporating a worm and pulley of low-friction thermoplastic and a nylon gear. Standard tilt cords shall measure 1.8mm in diameter.

Tilt rod shall be electro-zinc coated solid steel measuring 1/4" square.

Cord lock shall be metal of a snap-in design incorporating a floating, shaft-type locking pin and shall incorporate a crash proof safety feature that will lock blind automatically upon release of cord.

Drums shall be made of high strength thermoplastic, which securely anchors vinyl tapes.

Installation brackets shall be a rivet-hinged front cover phosphate-treated steel and finished with a urethane primer and polyester baked enamel.

Braided ladder shall be made of 100% polyester yarn incorporating two extra strength rungs per ladder for slat support. Standard ladder spacing shall be 44mm.

Slats shall be 5000 series cold-rolled aluminum containing the maximum allowable recycled content to produce a high strength and corrosion resistant flexible product. Slats shall be nominally 2" wide x .008" thick and processed with Advanced Finishing Technology (AFT), providing a smooth, hard, less porous surface. AFT delivers anti-static performance to repel dust. Slats shall be treated with a topcoat of polyester baked enamel.

Bottomrail shall be "C" shaped 9/16" high x 2" wide x 0.40 thick anodized aluminum. It is fully enclosed with a dust cover slat and finished with a polyester baked enamel to match headrail.

Options:

- Cloth tapes
- Wand filter
- Ring filter
- Ring pull
- Extension brackets
- Hold down brackets
- Cut outs
- Deluxe valance

