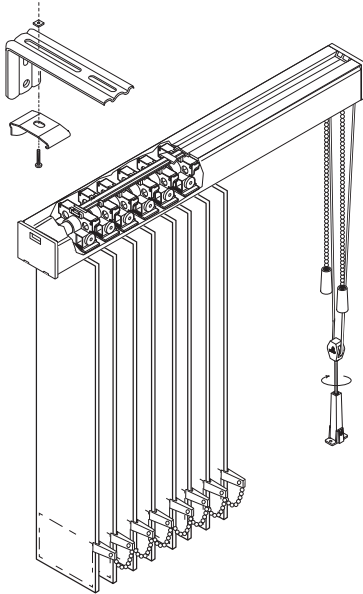


## DATA SHEET

## Product Features

## GRABER® G-85 DURA-VUE™ VERTICAL BLINDS



- 1-1/2" x 1-1/4" roll formed steel headrail
- Wheeled carriers
- Clear non-yellowing stems
- Centered carrier stems
- #6 nickel plated steel rotation chain
- One Touch™ wand control option
- Ten year headrail warranty

## Product Specifications

## GRABER® G-85 DURA-VUE™ VERTICAL BLINDS

**Headrail** shall be roll formed, phosphate-treated steel with a baked enamel finish in Ivory Gloss. Headrail shall measure 1-1/2" wide x 1-1/4" high x .027" thick.

**Carriers** shall be molded nylon on traversing wheels and centrally located making the headrail reversible. Detachable stems shall be clear, non-yellowing, UV-stabilized nylon and are impact resistant. Carriers and stems shall be replaceable without demounting the headrail.

**Rotation controls** shall consist of #6 nickel-plated steel bead chain and a rack and pinion gear system providing 180° direct rotation. The pinion rod shall be extruded aluminum 0.30" diameter.

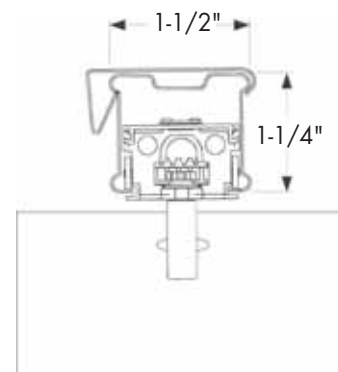
**Traversing control** shall be a nylon strap system. Traverse cord is #3 braided polyester with a fiberglass core, 0.094" diameter and is equipped with a cord tension pulley that is anchored to the wall or window jamb during installation in accordance with CPSC recommendations.

**Installation brackets** shall be made of zinc plated, heat treated steel and provided for overhead, wall or ceiling installation per the contract documents.

**Louvers** shall be selected from the Graber® line of PVC offerings in 2" or 3-1/2" widths and/or fire-rated fabrics in 3-1/2" widths. FR certifications are available upon request.

**Options:**

One Touch™ wand control  
Standard valance  
Bottom chain  
Extension brackets



MAG Resources, LLC